

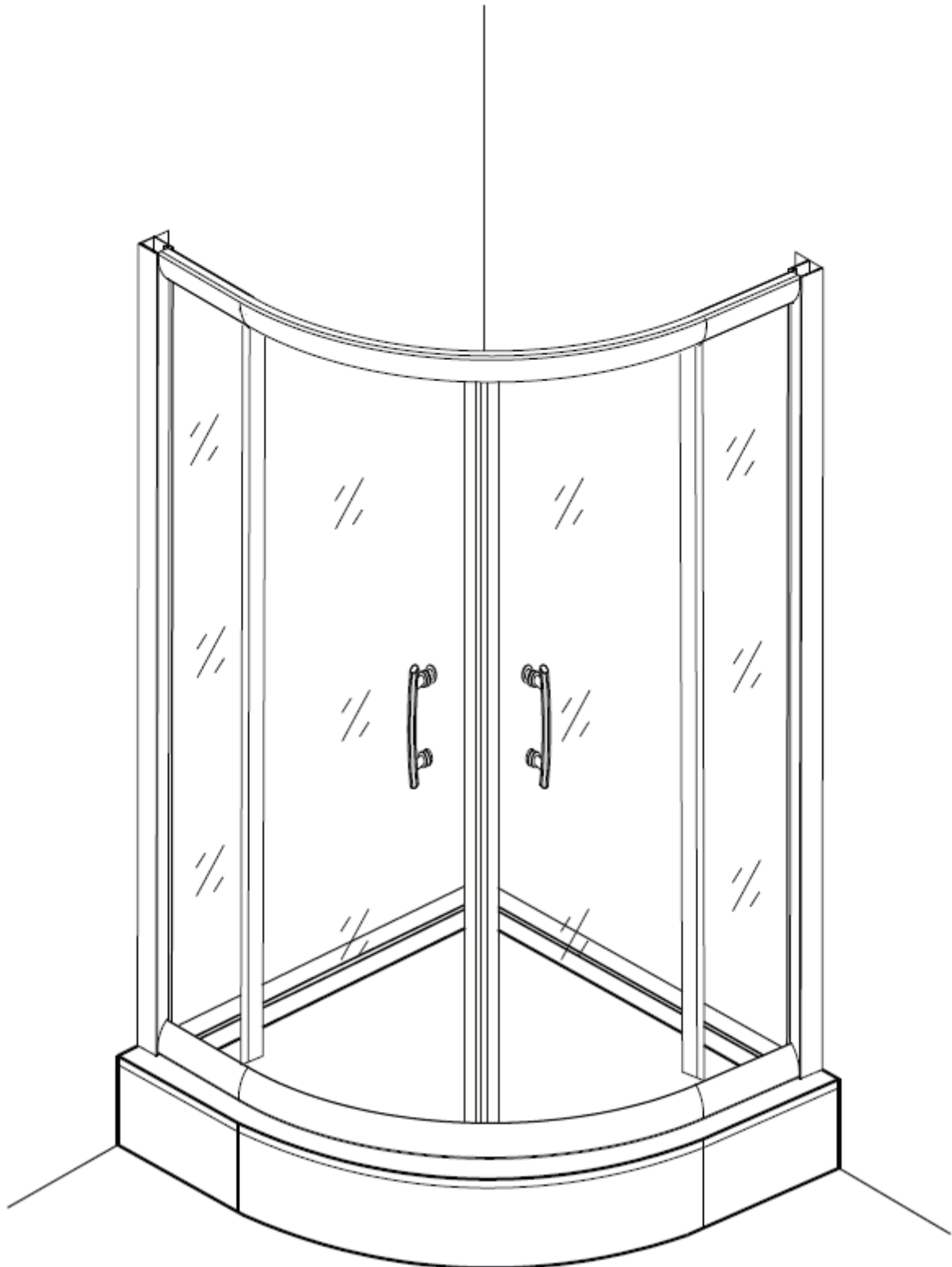


Thankyou for your order

Ph. 09 913 3110 Fax. 09 913 3113
5 Smales Rd, East Tamaki, Manukau
P.O.Box 58031 Greenmount, Manukau 2141

AUCKLAND // WELLINGTON // CHRISTCHURCH

Rapid Installation Instructions



If you have any questions regarding these instructions or the installation of this shower, please phone us Henry Brooks & Co Ltd (09) 913 3110 during business hours or contact your supplier.

Recommended Timber Framing

- Suggested as fixing for installation of tapware. This will likely be different for your specific situation.
- Required for shower frame and fixing of wall-board above the shower tray.

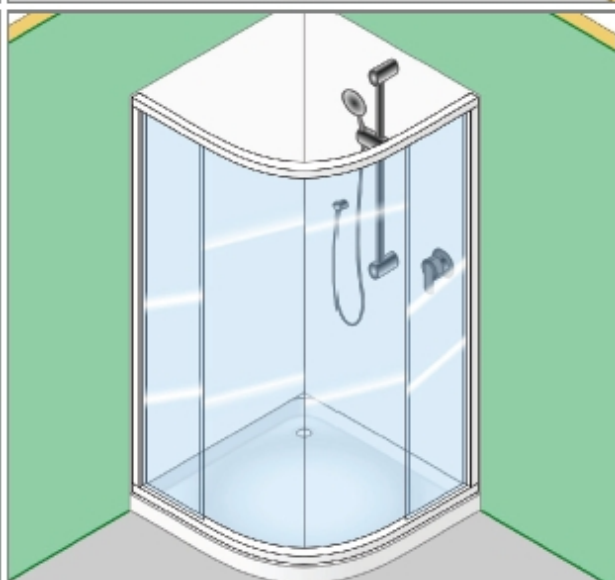
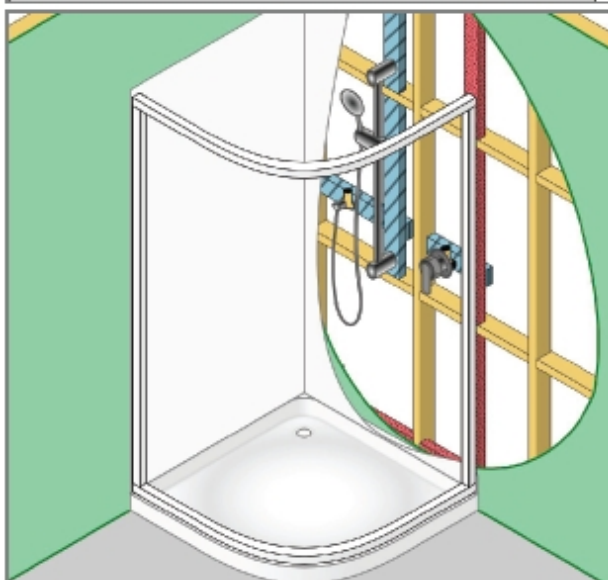
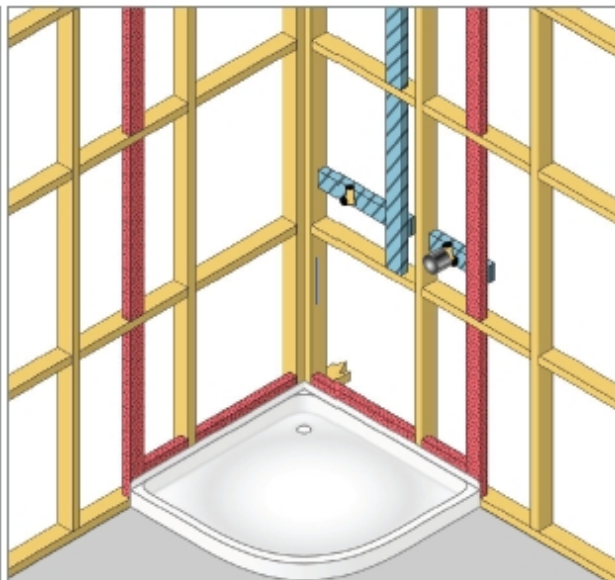
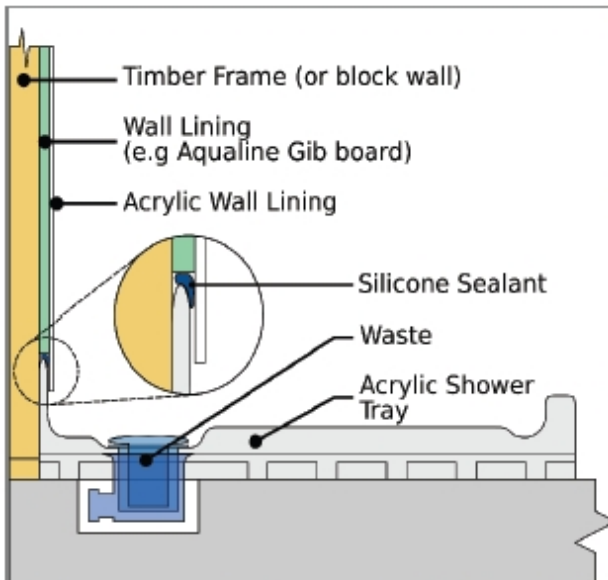
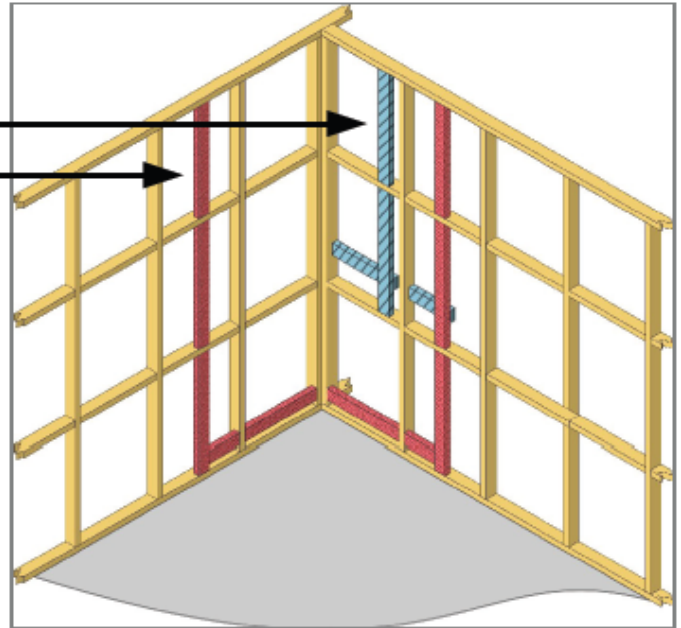
The Shower Tray is fitted **against the bottom plate** of the timber frame (or equivalent if block wall).

The Wall-lining (e.g Aqualine Gib board) is fixed to the wall **above** the tray.

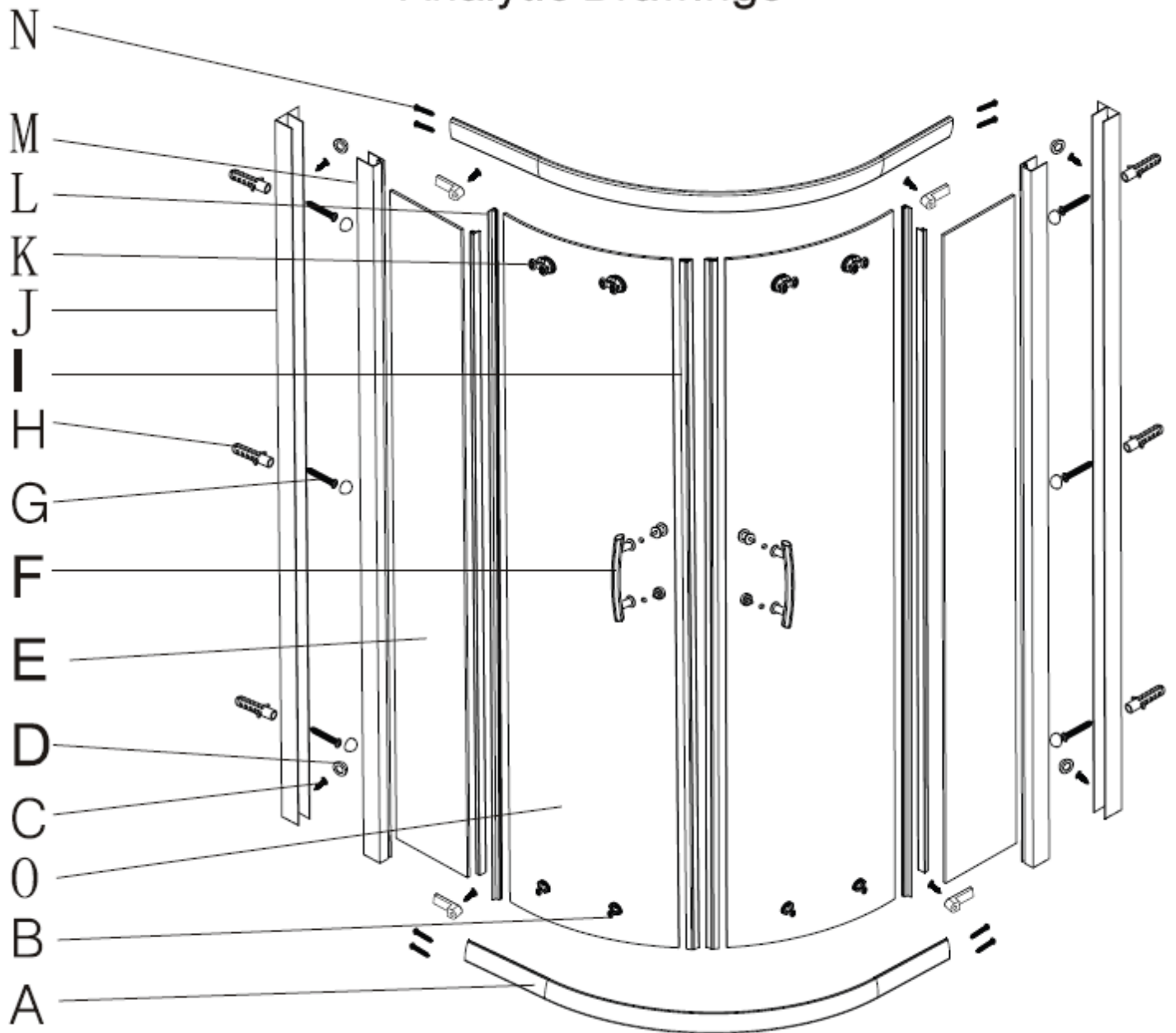
Don't forget to **mark the position of timber fixings**, as well as any plumbing / electrical components and wires that may be present in the wall cavity.

This should result in a finish where the Wall-lining is flush with the top lip of the Tray.

This allows the Acrylic liner to be glued onto the Wall-lining, running down into the tray and allow for a silicone seal between the Acrylic liner and the lip of the Tray.



Analytic Drawings



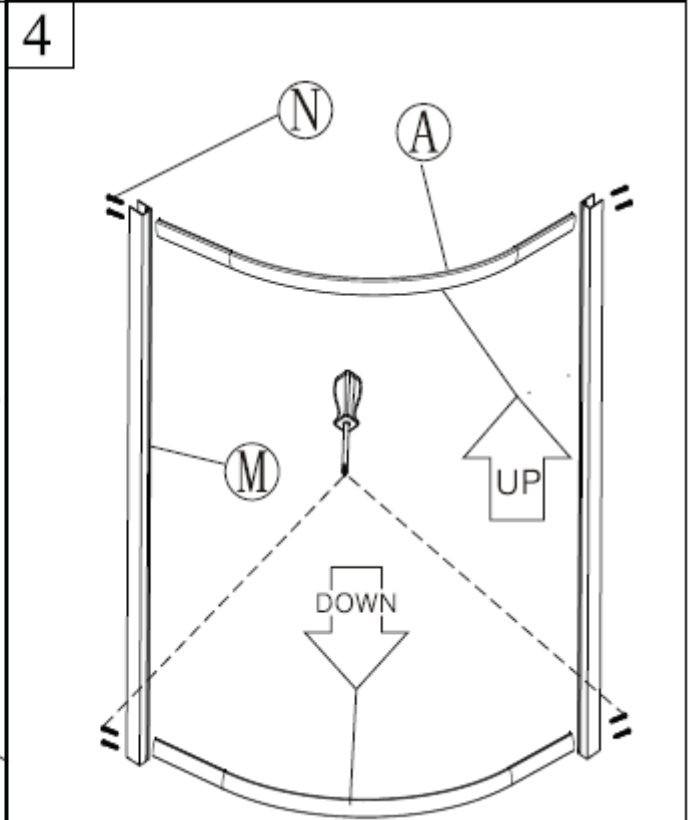
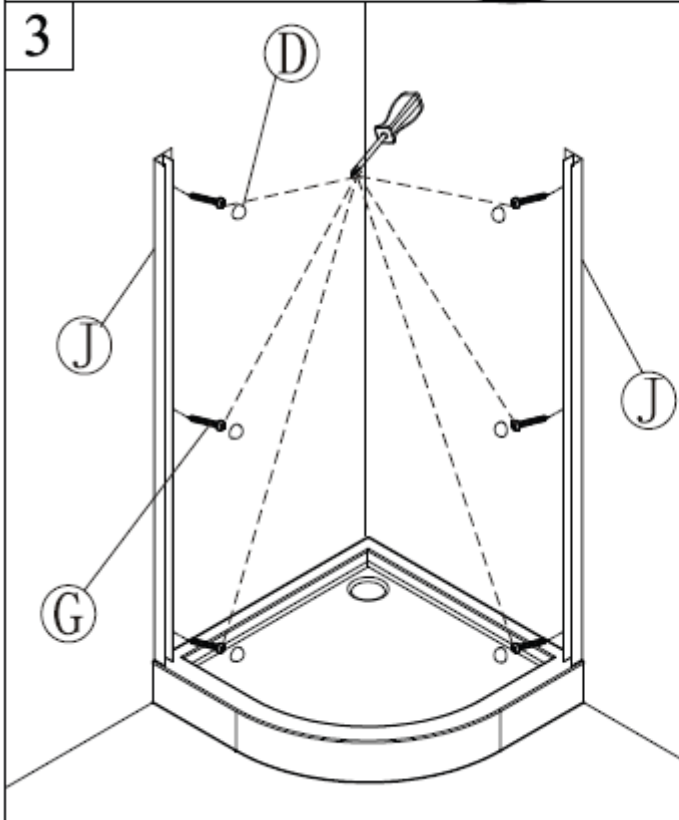
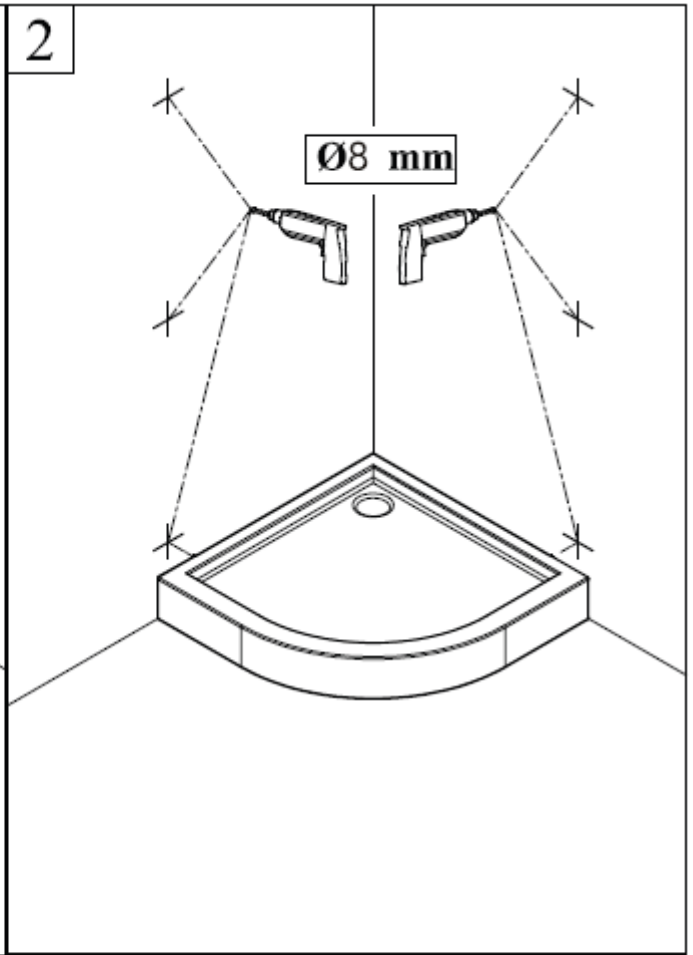
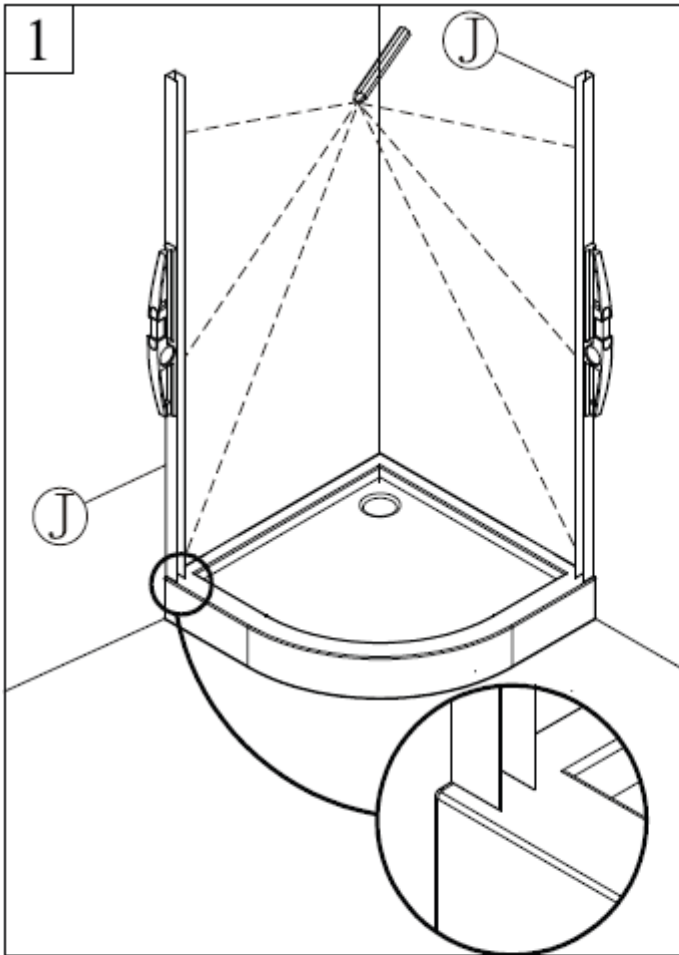
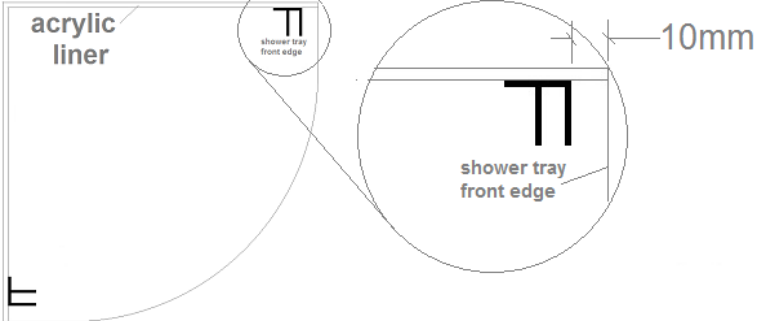
*1. PART

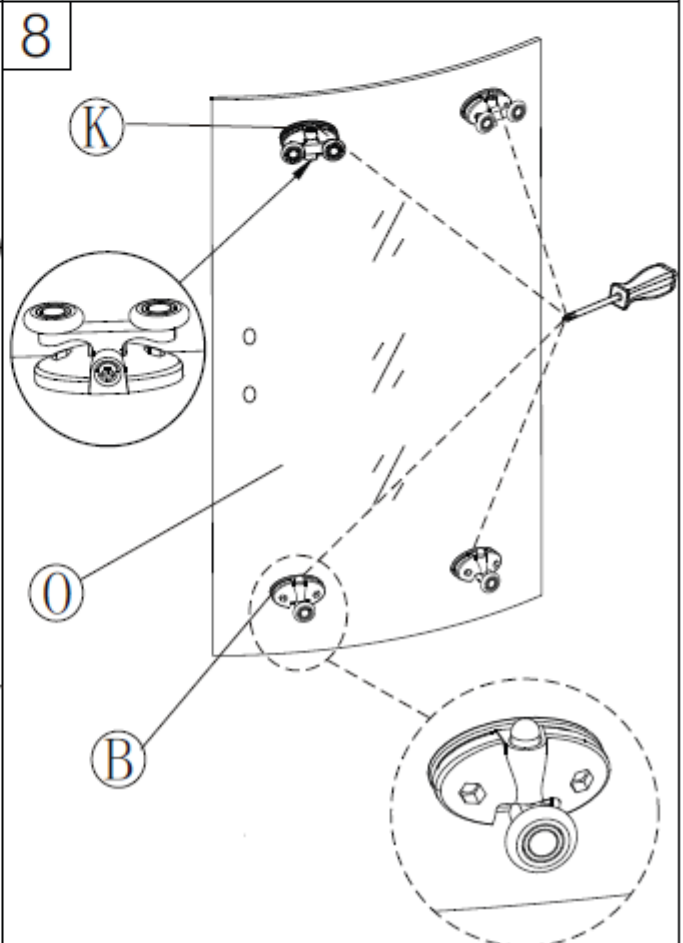
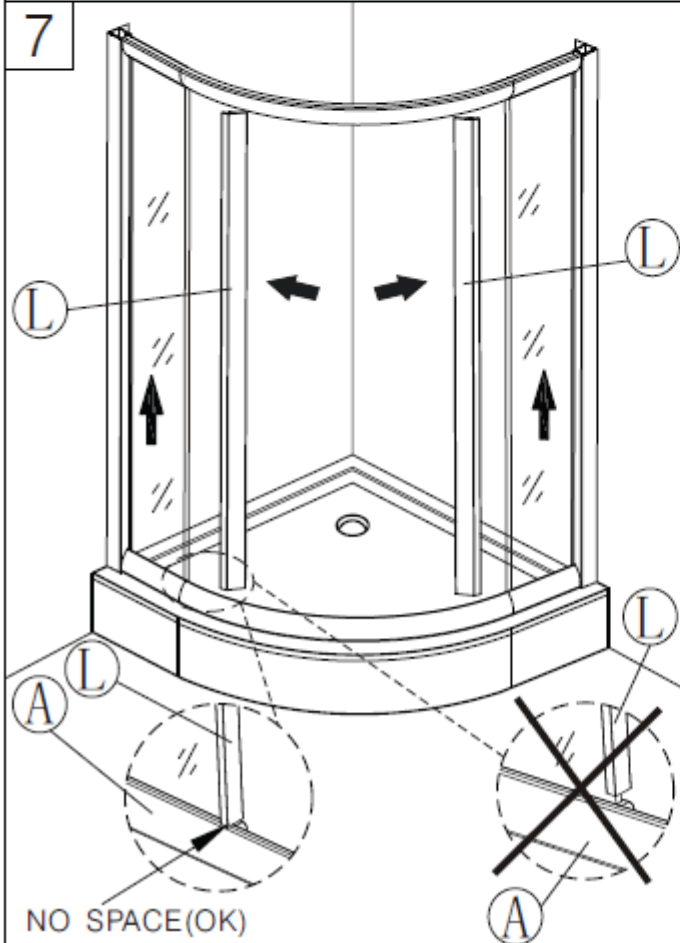
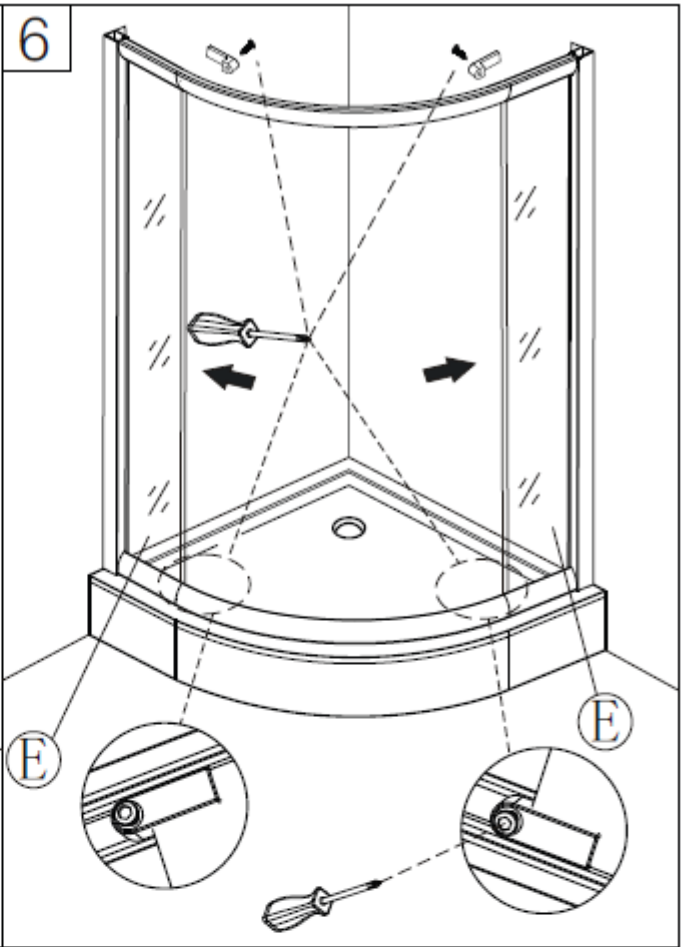
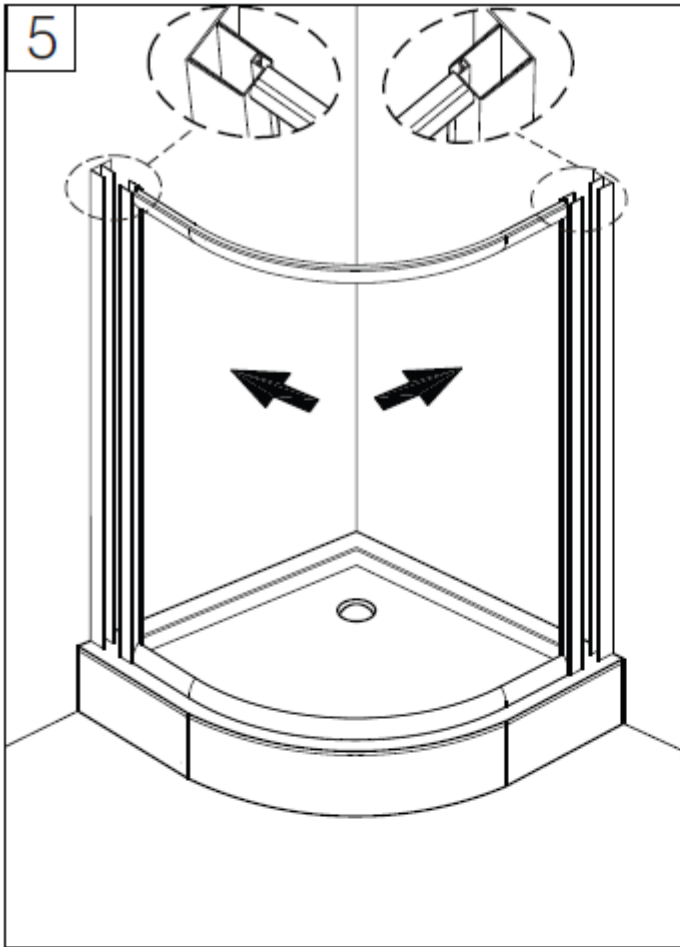
BEFORE YOU START:

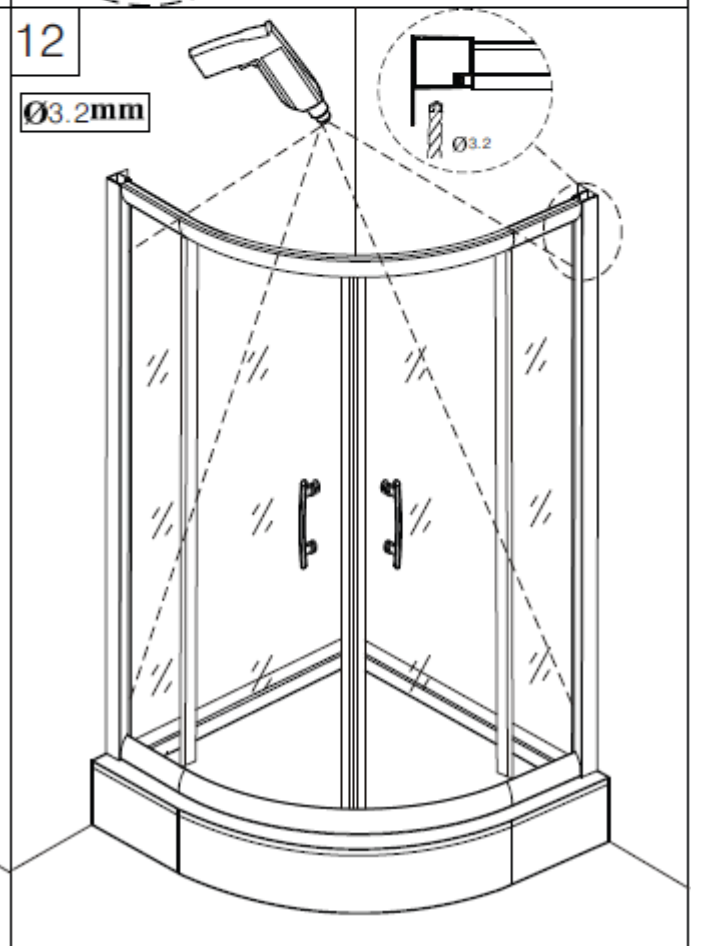
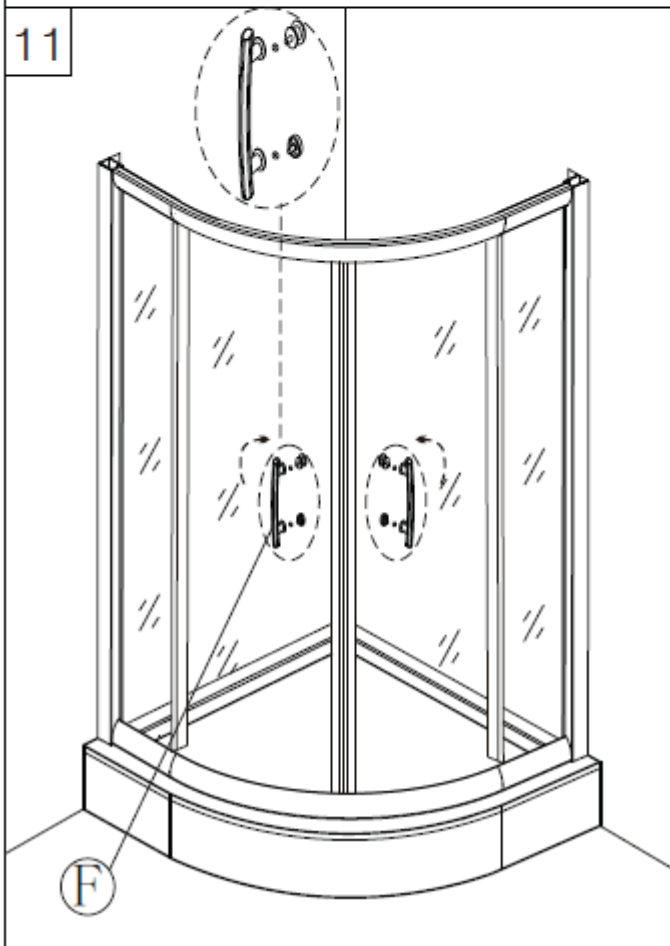
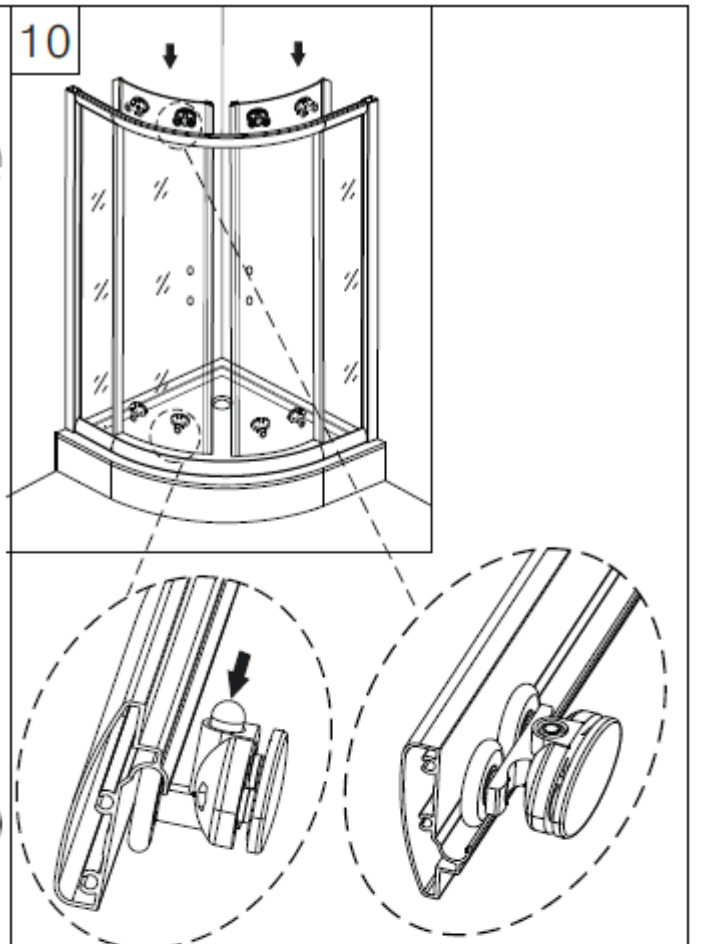
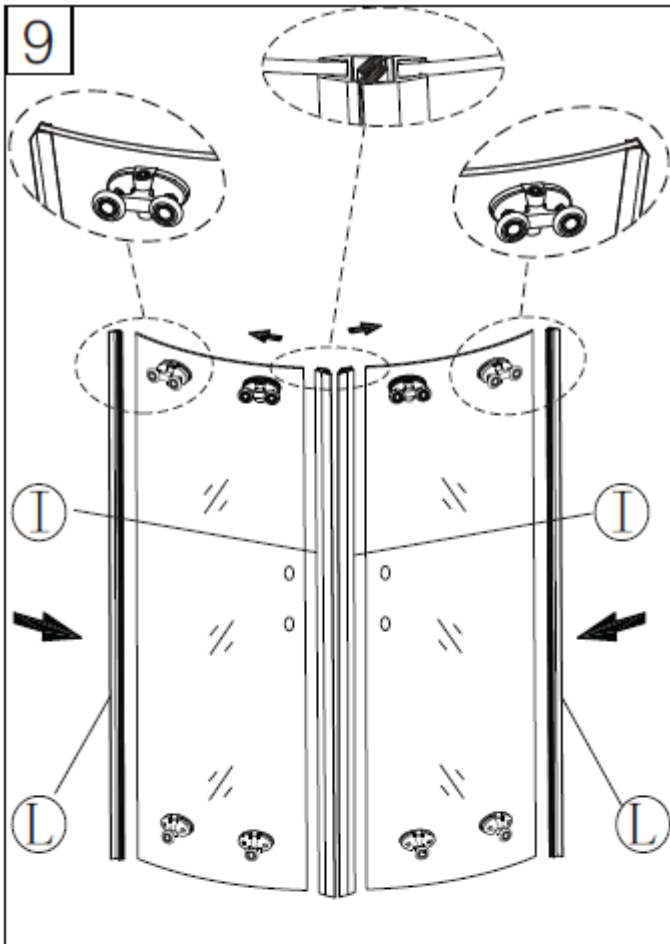
Please inspect the shower parts while they are still in the carton, for any transport or handling damage, and report any damage to your supplier before unpacking the shower parts from the carton.

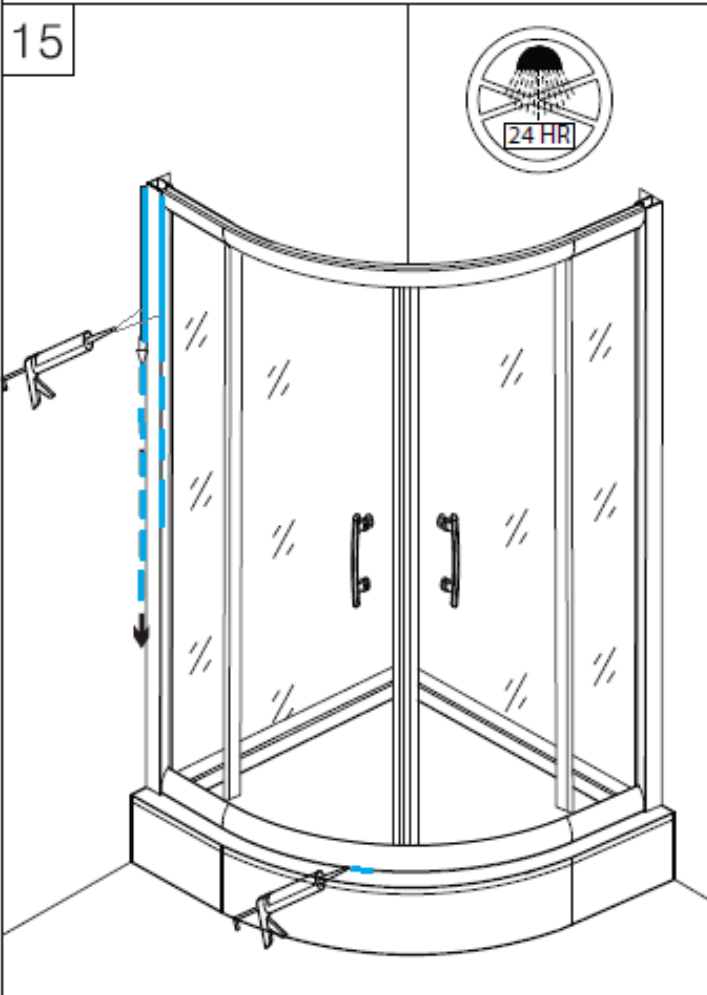
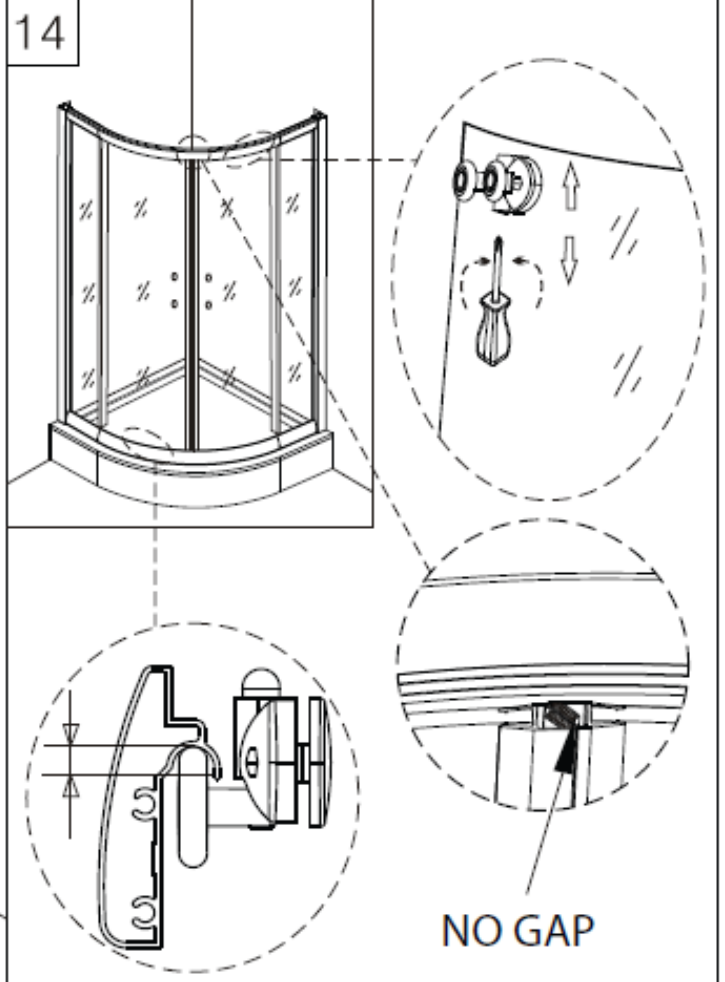
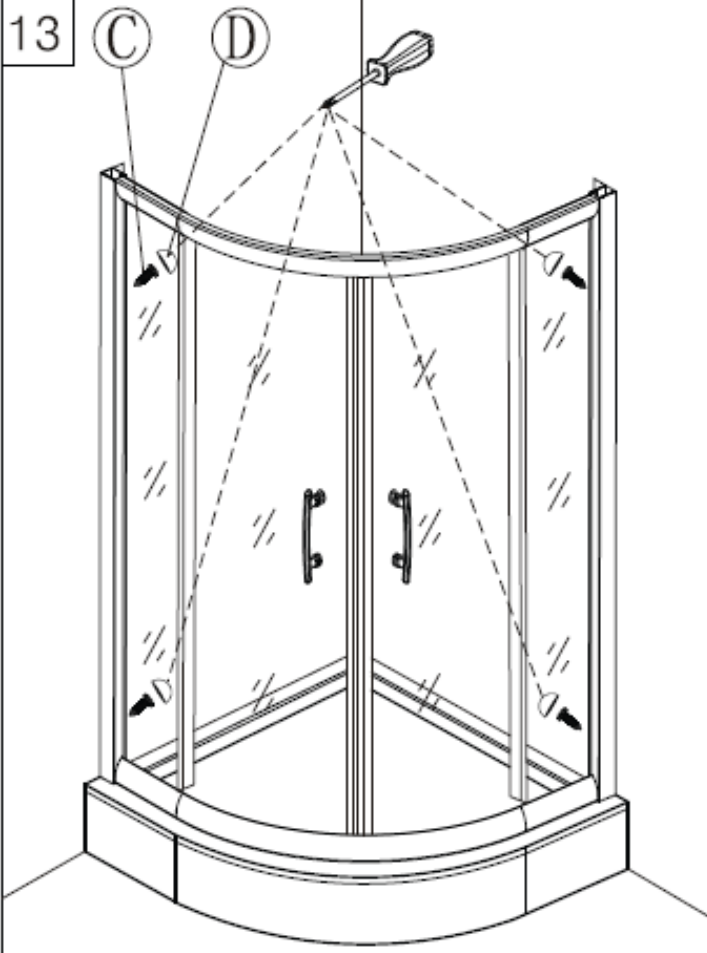
We assume that that tray and acrylic liner have been installed correctly and are all square, level and positioned in the correct place. Failure to have a square and level tray will affect the installation of the liner and the shower frame, and affect the operation of the finished product.

**The top rail has 2 clear door stops mounted on the rail with screw centers of 95mm.









Thankyou for your order



Ph. 09 913 3110 Fax. 09 913 3113
 5 Smales Rd, East Tamaki, Manukau
 P.O.Box 58031 Greenmount, Manukau 2141

AUCKLAND // WELLINGTON // CHRISTCHURCH